

BUMP FEED Eco6

BUMP & FEED type



Diameter : 6"
 Weight : 415g
 Spool capacity : $\Phi 3 \times 8m$
 Suitable engine : 35~50cc

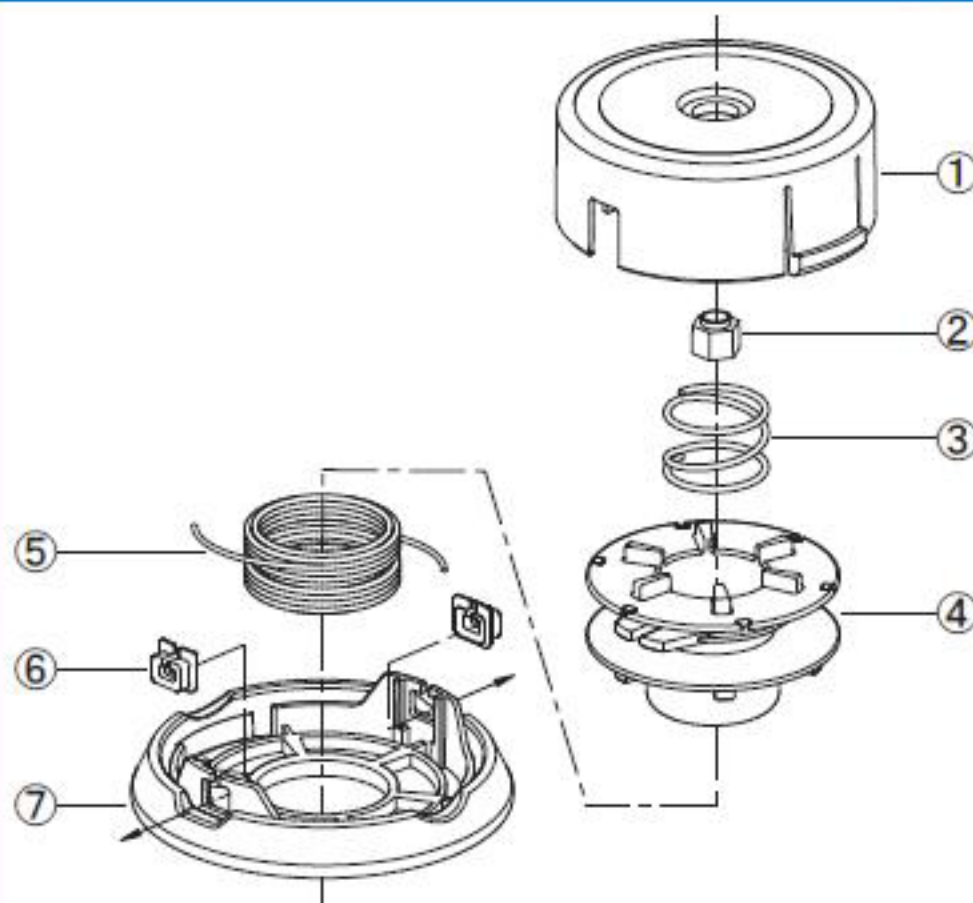
- * Low Vibration
- * Open Eyelet
- * Divided Line Holder
- * Popular edition of B6
- * Light Weight

FEMALE HEADS	
Model Code	Size
E6-08125NL	M8 X P1.25LH female
E6-1010NL	M10 X P1.0LH female
E6-10125NL	M10 X P1.25LH female
E6-1015NL	M10 X P1.5LH female
E6-12125NL	M12 X P1.25LH female
E6-1215NL	M12 X P1.5LH female
E6-12175NL	M12 X P1.75LH female

MALE HEADS	
Model Code	Size
E6-08125BL	M8 X P1.25LH male
E6-10125BL	M10 X P1.25LH male

Adapter Bolts	
 M8 X M10 P1.25LH	 M10 X M10 P1.25LH

If you need other size, please contact us.



ScrewType

No.	Parts Name	Q'ty
①	Case	1
②	Nut	1
③	Spring	1
④	Line Holder	1
⑤	Nylon Line	1
⑥	Eyelet	2
⑦	Cover	1